



CXH1 - 12PL



CXH2 - 12PL



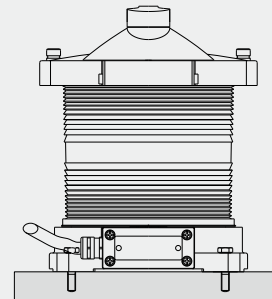
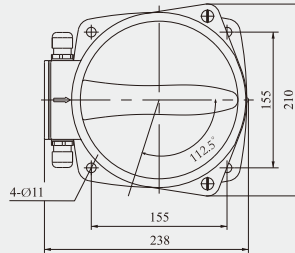
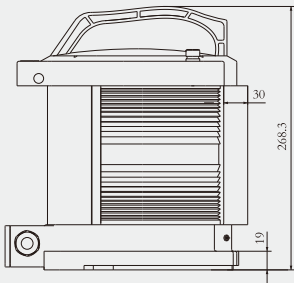
CXH3 - 12PL



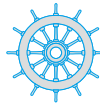
CXH4 - 12PL



CXH6 - 12PL



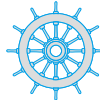
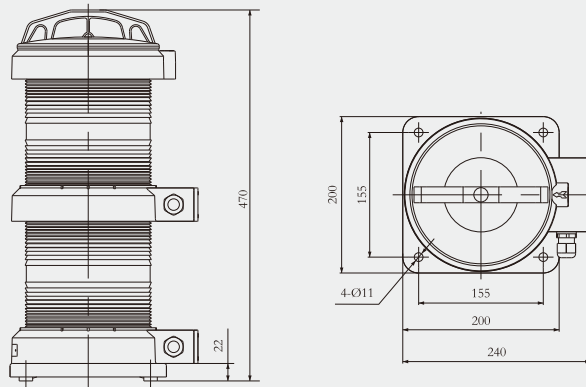
安装示意图 Installation Diagram



**适用范围 The Scope of Application**

适用于50米或50米以上各类船舶作夜间航行灯光信号。  
Applied to the ships with the length of 50m or above as lamp signal liaison when night navigation.

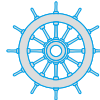
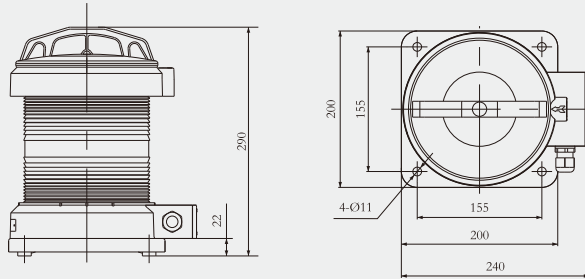
名称 Name	右舷灯Starboard Light	左舷灯Port Light	桅灯Masthead Light	艉灯Stern Light	环照灯All-round Light
型号 Type	CXH1-12PL	CXH2-12PL	CXH3-12PL	CXH4-12PL	CXH6-12PL
额定电压 Rated Voltage	AC100~240V 50/60Hz、DC24V				
功率 Power	6W	6W	8W	6W	6W
光源 Illuminant	LED				
颜色 Color	绿Green	红 Red	白 White	白/黄 White/Yellow	红/绿/白 Red/Green/White
水平光弧 Horizontal Arc	112.5°	112.5°	225°	135°	360°
垂直光弧 Vertical Arc	±5°				
可见距离 Visible Distance	3n.m	3n.m	6n.m	3n.m	3n.m
防护等级 Protection Class	IP66				
电缆外径 Cable Outside Diameter	Ø10~Ø14				
安装方式 Installation Method	座式 Seat-mounted Type				
环境温度 Ambient Temperature	-30℃ ~ +55℃				
灯体材质 Lamp Body Material	工程塑料PA+GF High-strength Engineering Plastic PA+GF				
灯罩材质 Lamp Shade Material	工程塑料PC Engineering Plastic PC				
灯罩颜色 Lamp Shade Color	透明 Transparent				
重量 Weight	3.2kg	3.2kg	3.2kg	3.2kg	3kg



**适用范围 The Scope of Application**

适用于50米或50米以上各类船舶作夜间航行灯光信号。  
Applied to the ships with the length of 50m or above as lamp signal liaison when night navigation.

名称 Name	右舷灯 Starboard Light	左舷灯 Port Light	桅灯 Masthead Light	艉灯 Stern Light	环照灯 All-round Light
型号 Type	CXH1-101P	CXH2-101P	CXH3-101P	CXH4-101P	CXH6-101P
额定电压 Rated Voltage	24V	110V	220V		
功率 Power	2*60W	2*60W	2*65W		
光源 Illuminant	白炽灯 Incandescent Lamp				
颜色 Color	绿 Green	红 Red	白 White	白/黄 White/Yellow	红/绿/白/蓝/紫 Red/Green/White/Blue/Purple
灯座 Lamp Holder	P28s				
水平光弧 Horizontal Arc	112.5°	112.5°	225°	135°	360°
垂直光弧 Vertical Arc	±5°				
可见距离 Visible Distance	3n.m	3n.m	6n.m	3n.m	3n.m
防护等级 Protection Class	IP56				
电缆外径 Cable Outside Diameter	Ø10~Ø14				
安装方式 Installation Method	座式 Seat-mounted Type				
环境温度 Ambient Temperature	-30℃ ~ +55℃				
灯体材质 Lamp Body Material	工程塑料 Engineering Plastic				
灯罩材质 Lamp Shade Material	工程塑料 PC Engineering Plastic PC				
灯罩颜色 Lamp Shade Color	红/绿/黄/蓝/紫/透明 Red/Green/Yellow/Blue/Purple/Transparent				
重量 Weight	4.05kg	4.05kg	4.05kg	4.05kg	4.05kg

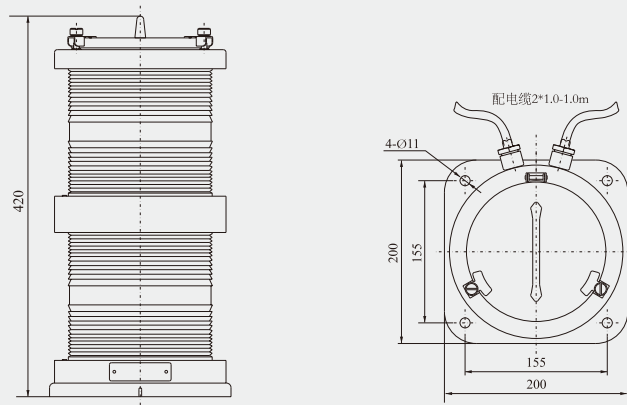


**适用范围 The Scope of Application**

适用于50米或50米以上各类船舶作夜间航行灯光信号。  
Applied to the ships with the length of 50m or above as lamp signal liaison when night navigation.

名称 Name	右舷灯 Starboard Light	左舷灯 Port Light	桅灯 Masthead Light	艉灯 Stern Light	环照灯 All-round Light
型号 Type	CXH1-11P	CXH2-11P	CXH3-11P	CXH4-11P	CXH6-11P
额定电压 Rated Voltage	24V	110V	220V		
功率 Power	60W	60W	65W		
光源 Illuminant	白炽灯 Incandescent Lamp				
颜色 Color	绿 Green	红 Red	白 White	白/黄 White/Yellow	红/绿/白/蓝/紫 Red/Green/White/Blue/Purple
灯座 Lamp Holder	P28s				
水平光弧 Horizontal Arc	112.5°	112.5°	225°	135°	360°
垂直光弧 Vertical Arc	±5°				
可见距离 Visible Distance	3n.m	3n.m	6n.m	3n.m	3n.m
防护等级 Protection Class	IP56				
电缆外径 Cable Outside Diameter	Ø10~Ø14				
安装方式 Installation Method	座式 Seat-mounted Type				
环境温度 Ambient Temperature	-30℃ ~ +55℃				
灯体材质 Lamp Body Material	工程塑料 Engineering Plastic				
灯罩材质 Lamp Shade Material	工程塑料 PC Engineering Plastic PC				
灯罩颜色 Lamp Shade Color	红/绿/黄/蓝/紫/透明 Red/Green/ Yellow/Blue/Purple/ Transparent				
重量 Weight	2.61kg	2.61kg	2.61kg	2.61kg	2.61kg

## 航行信号灯 NAVIGATION SIGNAL LIGHT

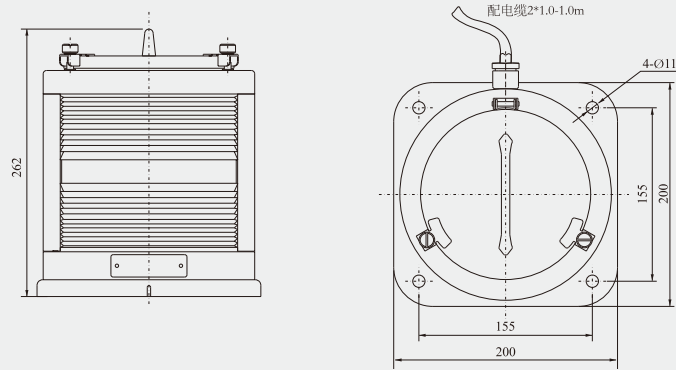


### 适用范围 The Scope of Application

适用于50米或50米以上各类船舶作夜间航行信号联络作用。  
Applied to the ships with the length of 50m or above as lamp signal liaison when night navigation.

名称 Name	右舷灯Starboard Light	左舷灯Port Light	桅灯Masthead Light	艉灯Stern Light	环照灯All-round Light
型号 Type	CXH1-10S	CXH2-10S	CXH3-10S	CXH4-10S	CXH6-10S
额定电压 Rated Voltage	24V	110V	220V		
功率 Power	2*60W	2*60W	2*65W		
光源 Illuminant	白炽灯 Incandescent Lamp				
颜色 Color	绿 Green	红 Red	白 White	白/黄 White/Yellow	红/绿/白/蓝/紫 Red/Green/White/Blue/Purple
灯座 Lamp Holder	P28s				
水平光弧 Horizontal Arc	112.5°	112.5°	225°	135°	360°
垂直光弧 Vertical Arc	±5°				
可见距离 Visible Distance	3n.m	3n.m	6n.m	3n.m	3n.m
防护等级 Protection Class	IP56				
电缆外径 Cable Outside Diameter	Ø10~Ø12				
安装方式 Installation Method	座式 Seat-mounted Type				
环境温度 Ambient Temperature	-30℃ ~ +55℃				
灯体材质 Lamp Body Material	不锈钢 Stainless Steel				
灯罩材质 Lamp Shade Material	工程塑料PC Engineering Plastics PC				
灯罩颜色 Lamp Shade Color	红/绿/黄/蓝/紫/透明 Red/ Green/ Yellow/Blue/Purple/Transparent				
重量 Weight	4.3kg	4.3kg	4.1kg	4.2kg	4.0kg

## 航行信号灯 NAVIGATION SIGNAL LIGHT



### 适用范围 The Scope of Application

适用于50米或50米以上各类船舶作夜间航行信号联络作用。  
Applied to the ships with the length of 50m or above as lamp signal liaison when night navigation.

名称 Name	右舷灯 Starboard Light	左舷灯 Port Light	桅灯 Masthead Light	艉灯 Stern Light	环照灯 All-round Light
型号 Type	CXH1-1S	CXH2-1S	CXH3-1S	CXH4-1S	CXH6-1S
额定电压 Rated Voltage	24V	110V	220V		
功率 Power	60W	60W	65W		
光源 Illuminant	白炽灯 Incandescent Lamp				
颜色 Color	绿 Green	红 Red	白 White	白/黄 White/Yellow	红/绿/白/蓝/紫 Red/Green/White/Blue/Purple
灯座 Lamp Holder	P28s				
水平光弧 Horizontal Arc	112.5°	112.5°	225°	135°	360°
垂直光弧 Vertical Arc	±5°				
可见距离 Visible Distance	3n.m	3n.m	6n.m	3n.m	3n.m
防护等级 Protection Class	IP56				
电缆外径 Cable Outside Diameter	Ø10~Ø12				
安装方式 Installation Method	座式 Seat-mounted Type				
环境温度 Ambient Temperature	-30℃ ~ +55℃				
灯体材质 Lamp Body Material	不锈钢 Stainless Steel				
灯罩材质 Lamp Shade Material	工程塑料 PC Engineering Plastics PC				
灯罩颜色 Lamp Shade Color	红/绿/黄/蓝/紫/透明 Red/Green/Yellow/Blue/Purple/Transparent				
重量 Weight	2.1kg	2.2kg	2.1kg	2.3kg	2.0kg